



UTOPIA®

UniGuard®

The Low-Profile, Waterless Drain Valve System

THE NEW STANDARD OF EXCELLENCE



- ✓ Easily Installed in any Orientation
- ✓ Low Profile
- ✓ Prevents Odors
- ✓ Innovative Silicone Bladder

Patent Pending



SUPERIOR PERFORMANCE & QUALITY, INSIDE AND OUT.



Utopia® UniGuard®, is a low-profile, waterless sanitary waste drain valve that utilizes a specially designed, self-sealing Silicone rubber bladder to guard against and help prevent the escape of foul odors into the living spaces of recreational vehicles.

The self-sealing valve opens from the water pressure of a draining fixture and closes to form an air-tight seal after the water has drained.

Utopia UniGuard can be used for the following RV applications:

- Kitchen sinks
- Lavatory sinks
- Showers
- Bathtubs
- Washing machine discharge
- Dishwashers



QUALITY FEATURES INCLUDE

Improved Flow Capacity

Larger Opening for up to **10%** more flow compared to competitive waterless valves. Drains faster and helps prevent clogs.

Designed to be installed in any vertical or horizontal orientation

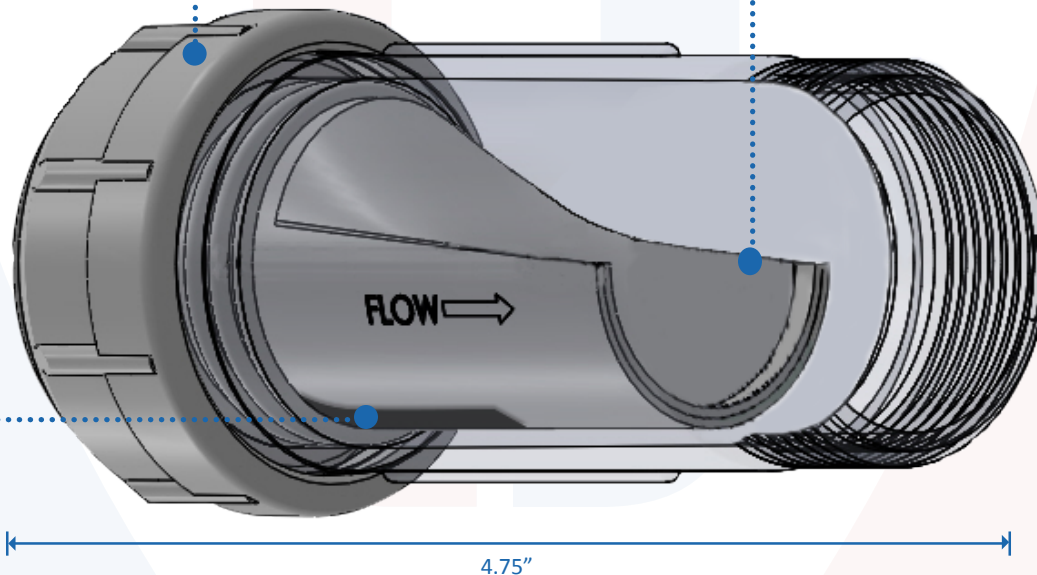
Makes installation faster and easier without the risk of valve malfunction.

Innovative Self-Sealing Silicone Bladder

Prevents and guards against the escape of foul odors of the drainage system. Even after long periods of non-use.

Quiet Operation

No gurgling sounds.



Exclusive Inner Guard

Helps prevent the silicone bladder from inverting during reverse flood testing.

National Pipe Standard Thread

Meets American National Standard Pipe Thread standards, insuring a leak-free fit.

Compact Design

Over **30%** more compact than competitive waterless drain valves - ideal for installation in tight spaces and confined areas.

NO P-TRAP, NO STINK

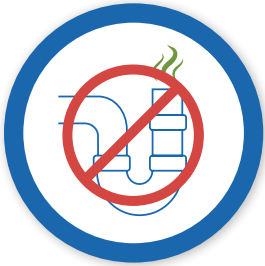
Standard water seal P-traps in recreational vehicles can allow odors to escape if the water seal evaporates after long periods of non-use or can crack from freezing during cold temperatures.



Utopia UniGuard is a waterless sanitary waste drain valve specifically designed to replace the standard water seal P-traps and successfully perform in RV applications.

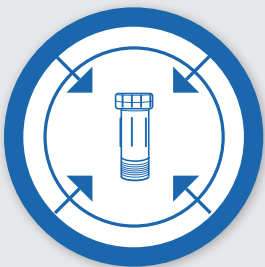
Unlike standard water seal P-traps, UniGuard utilizes an exclusive, specially designed, self-sealing Silicone rubber bladder that forms a dry seal to guard against and help prevent the escape of foul odors from the RV drainage system.

The low-profile, compact design of the UniGuard valve also makes it an ideal solution for RV installations in tight and confined areas such as a shower floor, in a cabinet under a sink or in use with an outside kitchen sink where living space is a premium.



Self-Sealing Silicone Bladder

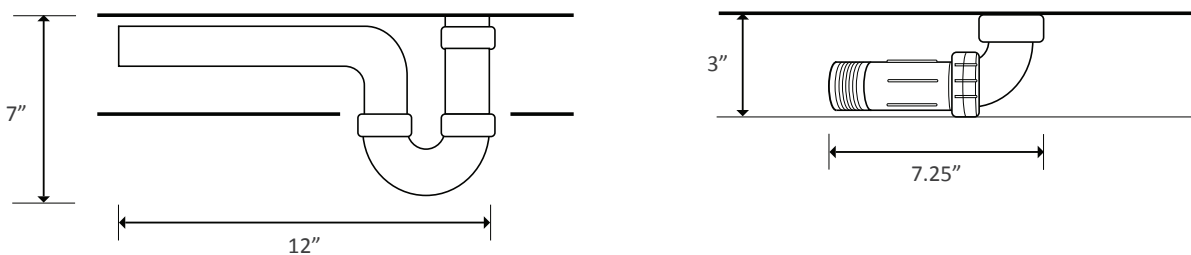
Unlike standard water seal P-Traps, UniGuard has an innovative silicone bladder that prevents and guards against the escape of foul odors of the drainage system even after long periods of non-use.



Compact Design

Utopia UniGuard's compact design allows for installation in tight places where standard P-traps are not viable. UniGuard can be installed in any orientation (in the proper flow direction) without negatively affecting performance.

Space Usage Comparison : Standard Water Seal P-Trap vs. Utopia UniGuard



UTOPIA UNIGUARD VS. THE COMPETITION

The Utopia® UniGuard® was designed and engineered with the recreational vehicle OEM and end consumer in mind. UniGuard is about 30% more compact than competitive waterless valves. This makes UniGuard easier to install and provides more valuable living space where it's needed in showers, in cabinets under sinks, etc.

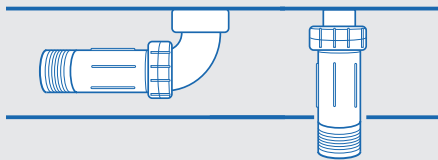
The innovative design of the UniGuard allows the valve to be installed in any vertical or horizontal orientation (in the proper flow direction) without the risk and inconvenience of the valve malfunctioning.

In addition, the specially designed Inner Retaining Guard found exclusively on the UniGuard valve helps prevent the Silicone rubber bladder from inverting during reverse flood testing. This unique feature prevents malfunctioning of the valve which can occur with competitive waterless valves.

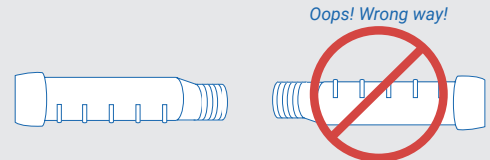
UTOPIA UNIGUARD

COMPETITIVE WATERLESS VALVES

Worry-free Installation

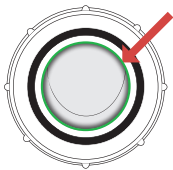


Designed to be installed in any vertical or horizontal orientation for ease of installation.



Design requires specific orientation for horizontal installation.

Inner Guard Protection



Inner Guard

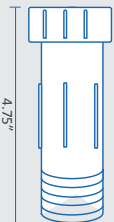
Found Exclusively on the UniGuard valve. Helps prevent the interior silicone bladder from inverting during reverse flood testing.



No Inner Guard

Reverse flood testing could invert interior bladder of competitive valves causing the product to malfunction

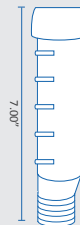
Compact Design



30%

More Compact

Allowing for easier installation in tight spaces.



Limited installation due to larger size.

Efficiency



10%

Larger Bladder Opening









Allows for faster flow and less chance for clogging.



Lower flow capacity and higher chance of clogging.



The Low-Profile, Waterless Drain Valve System

| | UTOPIA PART NUMBER | DESCRIPTION |
|---|--------------------|---|
|  | 65UGV1 | UTOPIA UNIGUARD VALVE 1-1/2" CAPTIVE NUT X 1-1/2" MALE THREAD |
|  | 65UGA2 | UTOPIA UNIGUARD ELBOW 1-1/2" CAPTIVE DIRECT CONNECT NUT X 1-1/2" MALE THREADS |
|  | 65UGA3 | UTOPIA UNIGUARD STRAIGHT ADAPTER COUPLING 1-1/2" X 1-1/4" REDUCING SLIP-JOINT X 1-1/2" MALE THREADS |
|  | 632801 | BLACK ABS FITTING 1-1/2" MALE THREAD X 1-1/2" SPIGOT |
|  | 632871 | BLACK ABS FITTING 1-1/2" MALE THREAD X 1-1/2" HUB - BLACK |
|  | 632891 | BLACK ABS FITTING 1-1/2" FEMALE THREAD X 1-1/2" HUB - BLACK |
|  | 633215 | BLACK ABS FITTING 1-1/2" SWIVEL FEMALE THREAD X 1-1/2" SPIGOT |
|  | 633217 | BLACK ABS FITTING 1-1/2" SWIVEL FEMALE THREAD X 1-1/2" HUB |

Codes & Standards

Compliance with the following codes:

2018 National Fire Protection Association (NFPA) 1192
 2018, 2015 and 2012, Uniform Plumbing Code®
 2015 and 2010 National Plumbing Code of Canada

Compliance with the following standards:

ASME A112.18.8-2009(R14), In-Line Sanitary Waste Valves for Plumbing Drainage Systems
 CSA TIL MSE 55-2009, In-Line Sanitary Waste Valves for Plumbing Drainage Systems



Patent Pending





Specifications

Utopia® UniGuard® is a low-profile waterless sanitary waste drain valve that is used in place of the standard water seal P-trap to protect the living space from foul odors and harmful sewer gases of the RV drain system.

UniGuard is only intended and designed to be used as a waterless drain valve. It is not intended to be used as a backflow preventer.

UniGuard has a range of optional adapters available to enable installation on 1-1/4" and 1-1/2" drain systems.

Materials

UniGuard Valve Body(65UGV1), Elbow(65UGA2) and Straight Coupling Adapter(65UGA3) - White Polypropylene
 Internal Bladder – Silicone Rubber
 Inner Guard - White Polypropylene
 Slip-Joint Washers – Thermoplastic Rubber (TPR)
 Black Flat Washer – EPDM Rubber

Codes & Standards

Compliance with the following codes:

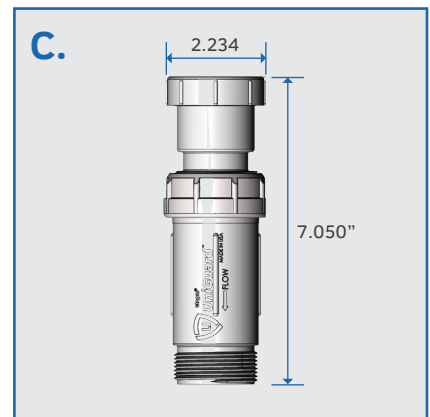
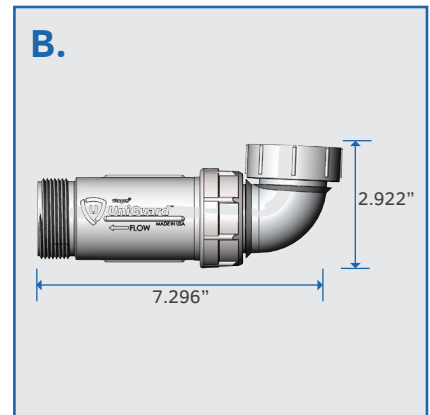
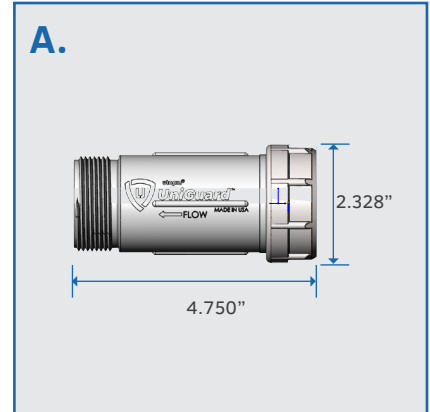
- 2018 National Fire Protection Association (NFPA) 1192
- 2018, 2015 and 2012, Uniform Plumbing Code®
- 2015 and 2010 National Plumbing Code of Canada

Compliance with the following standards:

- ASME A112.18.8-2009(R14), In-Line Sanitary Waste Valves for Plumbing Drainage Systems
- CSA TIL MSE 55-2009, In-Line Sanitary Waste Valves for Plumbing Drainage Systems

Notes:

1. UniGuard valve offers a 1-1/2" female threaded connection and a 1-1/2" male threaded connection.
2. Optional In-line adapters are available to connect the UniGuard valve to either 1-1/4" or 1-1/2" drain systems.
3. UniGuard must be installed no further than 6' away from the fixture(s) it's servicing and a minimum of 12" away from holding tank(s).
4. When installed horizontally, directly off any fixture, the UniGuard 87.5 degree elbow must be used to maintain the needed 1/4" per foot of slope.
5. UniGuard must always be installed in an accessible location for inspection, removal or repair.



UniGuard Dimensional Data

- A – Length = 4.750" Width = 2.328"
- B – Length = 7.296" Width = 2.922"
- C – Length = 7.050" Width = 2.234"



Patent Pending

